

**OVERBED TABLE** - Thank you for choosing this Overbed Table – L100.

**1 General**

**1.1 Symbols**

Signal words are used in this manual and apply to hazards or unsafe practices which could result in personal injury or property damage. See the information below for definitions of the signal words.

- Warning** indicates a potentially hazardous situation which, if not avoided, could result in death or serious injury.
- Important** Indicates a hazardous situation that could result in damage to property if it is not avoided.
- Gives useful tips, recommendations and information for efficient, trouble-free use.

**1.2 Safety**

- Check ALL parts for shipping damage. If shipping damage is noted, DO NOT use. Contact carrier or dealer for further instruction.
- Weight Limitation**  
The horizontal and vertical static loading limitation of the OT103 is 25 kg (55 lbs).
- General Warnings**  
DO NOT use this product or any available optional equipment without first completely reading and understanding these instructions and any additional instructional material such as owner's manuals, service manuals or instruction sheets supplied with this product or optional equipment. If you are unable to understand the warnings, cautions or instructions, contact a healthcare professional, dealer or technical personnel before attempting to use this equipment - otherwise, injury or damage may occur.  
ALWAYS check the overbed table for proper tightness before using.  
THE technical improvements of products will be compiled into new version of user manual without notice. Please in kind prevail if the appearance and color of products are changed.

- Accessories Warning**  
IDEAL products are specifically designed and manufactured for use in conjunction with IDEAL accessories. Accessories designed by other manufacturers have not been tested and are not recommended for use with IDEAL products.

- Installation Warning**  
ALWAYS use extreme caution when installing the column assembly, because it is with a sharp in the end of horizontal tub, please don't touch the sharp before completion of installation, otherwise injury or damage might occur. After any adjustments, repair or service and before use, make sure that all attaching component parts are secure.

**1.3 Intended use**

The overbed table as a kind of furniture is designed for use as a movable table top surface for reading, eating, or keeping small personal items such as glasses, telephone, or books within easy reach.

**2 Parts (Packing) List**

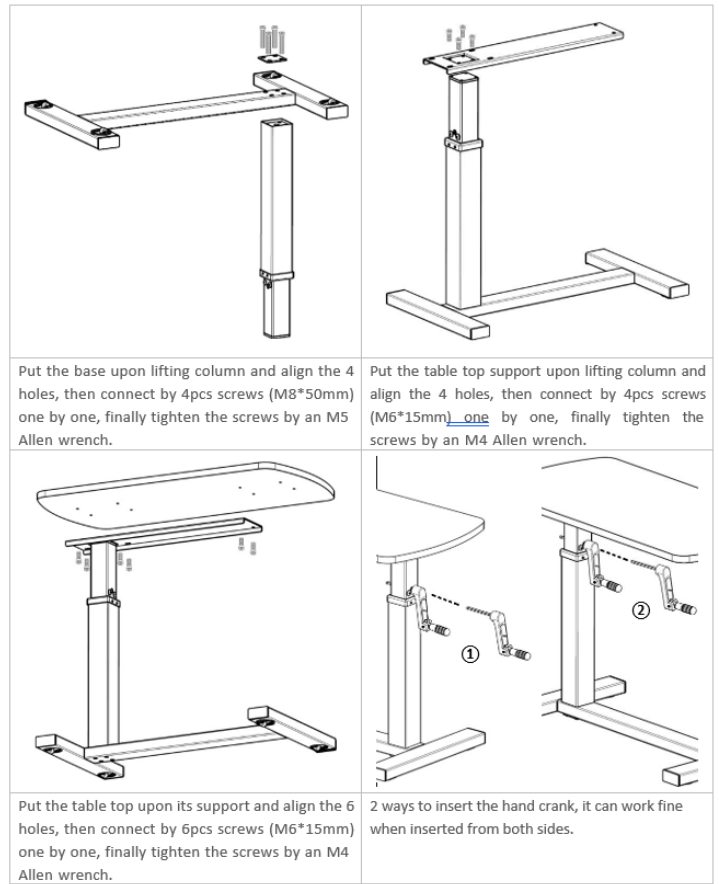
Base with castors	Lifting column	Table top support	Table top
M8 x 50mm screws 4pcs and plate 1pc	M6 x 15mm screws 10pcs	Hand crank	User's Manual

**3 Assembling the Overbed Table**

- Open end of box and then slide contents out of box.
- Collect base with castors, lifting column, table top and its support, hardware, hand crank and user manual.

- When installing, please perform installation operations on flat ground.

- Installation can be completed in just 4 easy steps.



- The overbed table is mainly composed of the following materials:

1. Medium density fiberboard (Table top)
2. Steel Pipe (Table frame)
3. Fastener (Screw, Hand crank)
4. Plastic (Tube plug, Castor)

**4 Using the Overbed Table**

Not only is this overbed table easy to install, it is also easy for the user to use. Adjust the tabletop to the user's desired height by turning the hand crank as FIGURE 1.

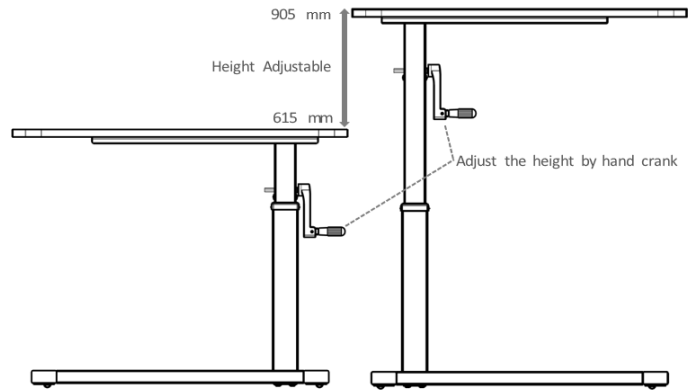


FIGURE 1 Using the Overbed Table

- This table is designed for use as a movable patient/resident table top surface for reading, eating, or keeping small personal items such as glasses, telephone, or books within easy reach.

This table is designed for indoor use ONLY within close proximity of skilled caregivers. It is not designed to hold electrical items (such as televisions, computer monitors, coffee pots, etc.) and should not be used near open flames and excessive heat.

Maximum weight limitation for this product is 25 kg (55 lbs); weight should be evenly distributed over the table top surface to help maintain a stable condition.

DO NOT overload the table as that could result in breakage, as well as damage to property and/or serious injury.

Use ONLY as directed for its intended use. This product should NOT be used: as a sleep surface; as a walker or mobility aid to assist a person in walking, sitting down or standing up; to prevent or brace a person's fall; or to help transport persons or items.

## 5 Misure (unità: mm)

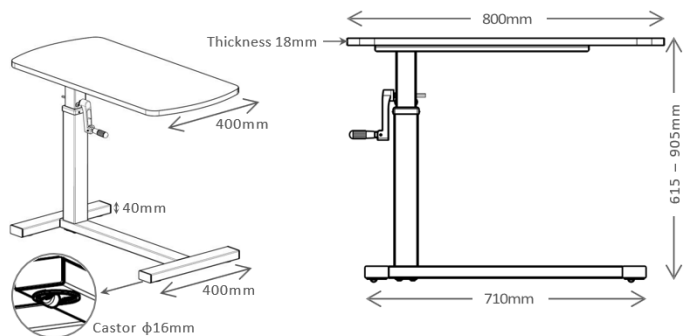


FIGURE 2 Measurements

## 6 Parameters

Parameter Name	OT103
Overall length	800 mm
Overall width	400 mm
Overall height	615 – 905 mm
Horizontal static load	25 kg
Vertical static load	25 kg
Horizontal durability	10 kg
Vertical impact	10 kg
Net weight	11.5 kg
Gross weight	13 kg
Package size	820 * 90 * 430 mm

## 7 Cleaning

Regular care and maintenance will prevent unnecessary wear and damage to your overbed table

### 7.1 Metal surfaces

Though the metal frame with high quality powder coating to protect its surface, but for normal cleaning, it's better to use a dry and soft cloth or sponge to wipe down.

### 7.2 Plastics

For normal cleaning, wash plastic surfaces with a soft cloth, mild detergent and water. Rinse thoroughly and dry with a soft cloth. Do not use solvents or abrasive kitchen cleaners.

### 7.3 Table top

Gently wipe the table with a soft, clean, damp cloth. Do not use cleansers that may damage the table's finish. To wash more thoroughly, clean with mild soap and a little of water, and wipe up the water as soon as possible to keep the table top dry.

## 8 Limited Warranty

This warranty is extended only to the original purchaser/user of our products.

IDEAL warrants its product to be free from defects in materials and workmanship for one year for the original purchaser. If within such warranty period any such product shall be proven to be defective, such product shall be repaired or replaced. Product repairs shall not extend this warranty - coverage for repaired product shall end when this limited warranty terminates. IDEAL's sole obligation and your exclusive remedy under this warranty shall be limited to such repair and/or replacement. For warranty service, please contact the dealer from whom you purchased. The defective unit or parts must be returned for warranty inspection.

This warranty does not cover device failure due to owner misuse or negligence, or normal wear and tear. The warranty does not extend to non-durable components, such as rubber accessories, casters, and grips, which are subject to normal wear and need periodic replacement.

**REF** OT103 (GIMA 27487)

Imported by:  
**Gima S.p.A.**  
 Via Marconi, 1 - 20060 Gessate (MI) Italy  
 gima@gimaitaly.com - export@gimaitaly.com  
[www.gimaitaly.com](http://www.gimaitaly.com)  
 Made in China

Manufactured by:  
**Suzhou Ideal Medical Co., Ltd.**  
 No. 88 Huachi Street,  
 Suzhou Industrial Park,  
 Suzhou (215000), Jiangsu, China

